

R6-20 Hinge

Concealed · 180° Opening

Features

- Invisible when door is closed
- Door-stay for horizontal door & lid applications
- Corrosion-resistant materials available

Product Performance

- Operating temperature range: -40 °C to 85 °C

Zinc Plated Steel:

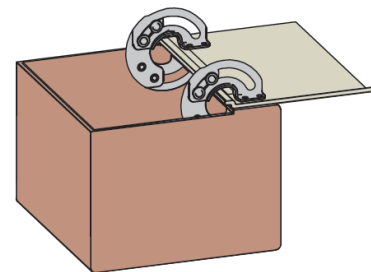
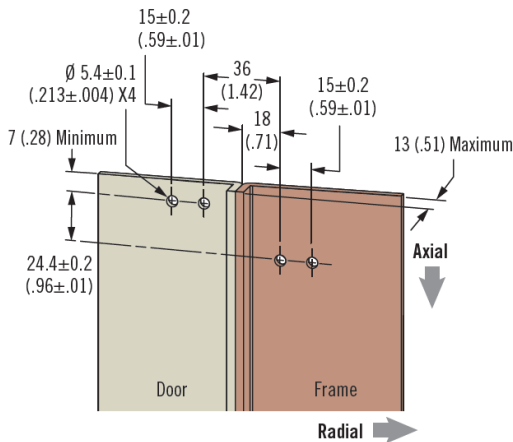
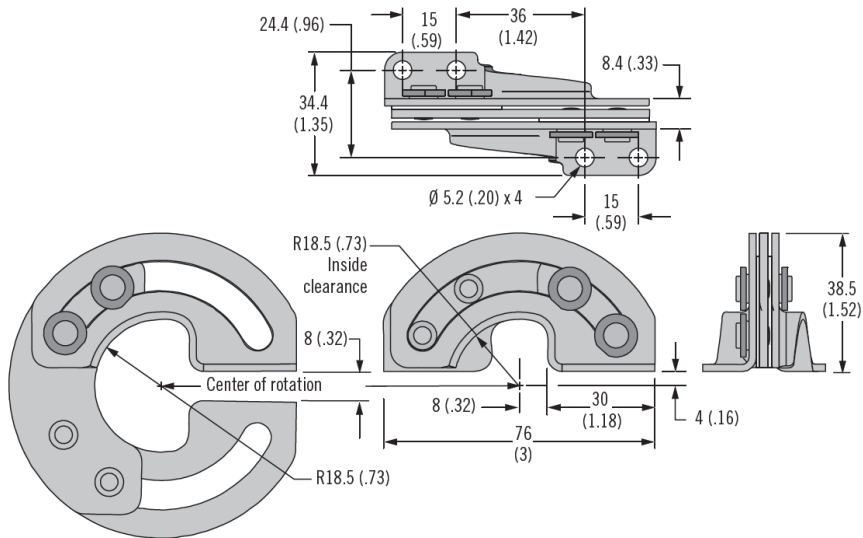
- Radial load:
 - Maximum static load: 485 N
 - Average ultimate load: 710 N
- Axial load:
 - Maximum static load: 100 N
 - Average ultimate load: 295 N

Material

- Steel, zinc plated, or stainless steel

Installation Notes

- Maximum panel thickness is 4
- Screws not supplied
- Install using M5 screws or by welding



Part Number	
Steel	R6-20-11
Stainless steel	R6-20-23